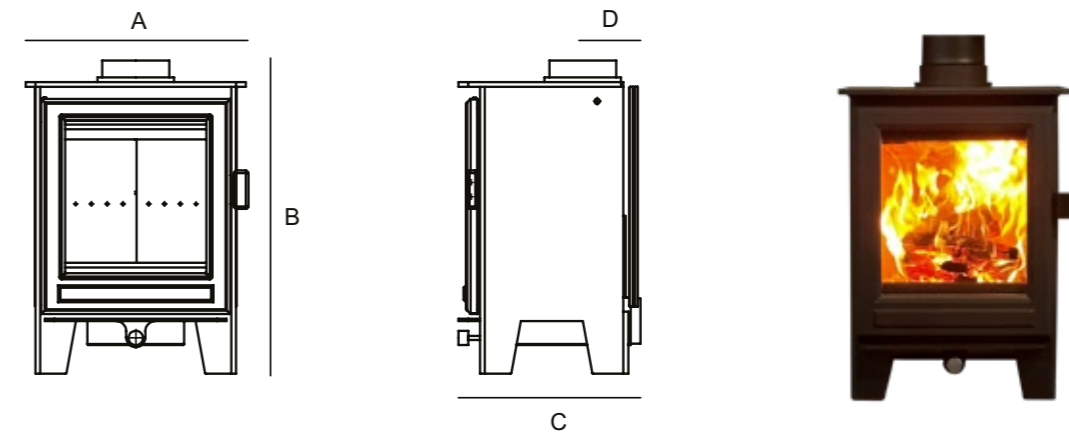




# Clock Sudbury Compact

The new Sudbury Compact is a narrower version of our popular Sudbury woodburning stove, designed to fit into slightly smaller spaces while not compromising on quality or performance.

## Clock Sudbury Compact (Wood-only 5kW)



| Dimensions            | A     | B     | C     | D    | Weight |
|-----------------------|-------|-------|-------|------|--------|
| Clock Sudbury Compact | 435mm | 610mm | 355mm | 95mm | 78kg   |

| Description   | Values                                  |
|---------------|---|
| Fuel Type     | Wood-Burning                            |
| Output Range  | 3.5kW – 6kW (Nominally tested at 4.9kW) |
| Energy Rating | A+                                      |
| Flue Size     | 5" / 130mm                              |
| Glass Size    | 305mm x 345mm                           |
| Rope Size     | 12mm Diameter Soft                      |
| Warranty      | 7 Years* (See back page for details)    |

| Available Options (Additional Cost) |
|-------------------------------------|
| Colours - See Colour Chart on p22   |
| Brass or Stainless Steel Fittings   |
| Direct Air Kit                      |
| Heat Shield                         |

| Distance to Materials | Above | Sides | Back  |
|-----------------------|-------|-------|-------|
| To Combustibles       | 375mm | 500mm | 500mm |
| To Non-combustibles   | 375mm | 100mm | 100mm |

For best performance we recommend these distances to non-combustible materials.

A Heat Shield reduces the rear distance to combustibles to 200mm, but will not reduce the distance to non-combustibles.

Clock stoves must be placed on a hearth with a minimum thickness of 12mm.



[www.clockwoodburners.co.uk](http://www.clockwoodburners.co.uk)